

DC High Voltage Centralized Power system

DC centralized power supply: UHP-1500-380E*1pcs

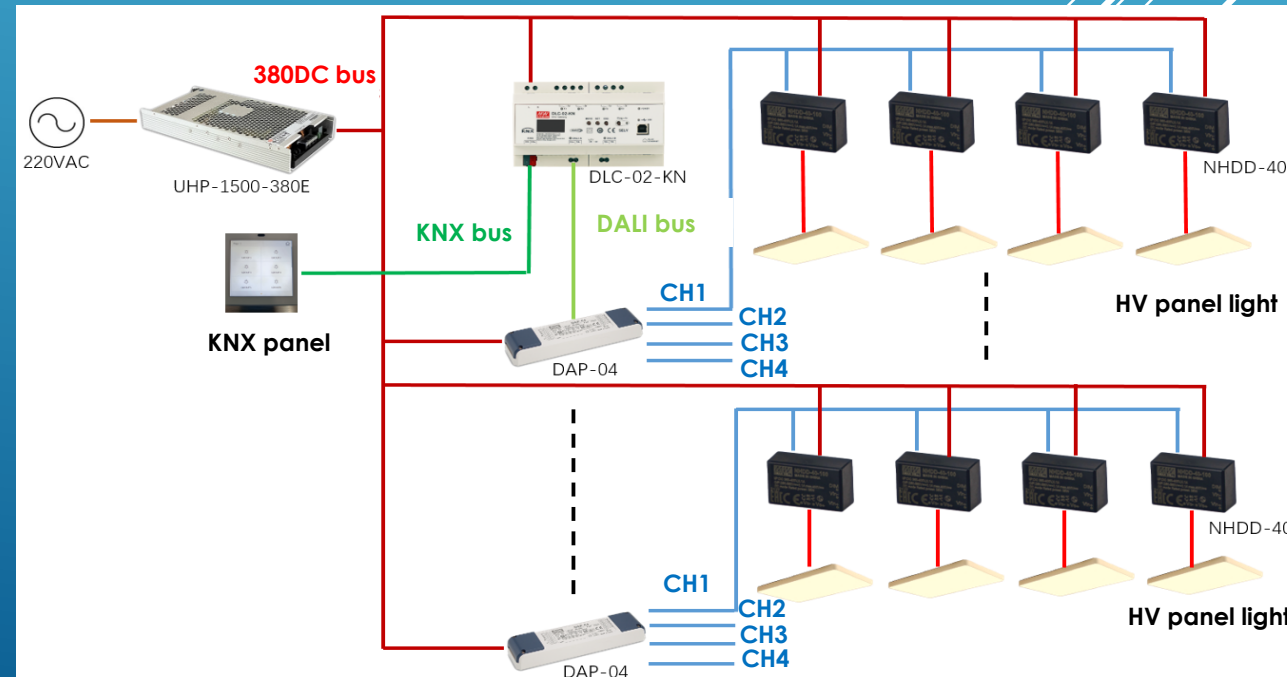
KNX to DALI gateway : DLC-02-KN*1pcs

KNX panel : GVS Smart Touch*1pcs

DALI to 0 – 10V converter : DAP-04*2pcs

LED drivers : NHDD-40-100*32pcs

Lamps: 40W high voltage panel light*32pcs



DC High Voltage Centralized Power system

Lighting is divided into 8 groups for 8 different areas at the office. There are 4 lamps for each area and each DAP-04 controls 4 areas of the lamps.

Effects:

Each area has a specific button on the KNX touch panel to turn the lights on/off and adjust the brightness.

Smart Touch	Area	Group	Dimming	
	HR	1		

	Sales	7		
	R&D	8		



DC High Voltage Centralized Power system

Comparison of DC high voltage centralized power supply

model	cooling	Output voltage	AC input
UHP-1500-HV	Free air convection	115, 230, 380	1Ø2W – 90~264VAC
PHP-3500-HV			
HEP-2300-HV			
CSP-3000	With fan Water cooling for L type	120,250,400	1Ø2W – 90~305VAC
RST-7K5(L)/15K		115, 230, 380	3Ø4W Y-340~530V AC 3Ø3W Δ-196~305V AC 1Ø2W -196~305VAC
SHP-10K(L)		55, 115, 230, 380	3Ø3W-340~530V AC

Note : Please refer to specification for detailed information