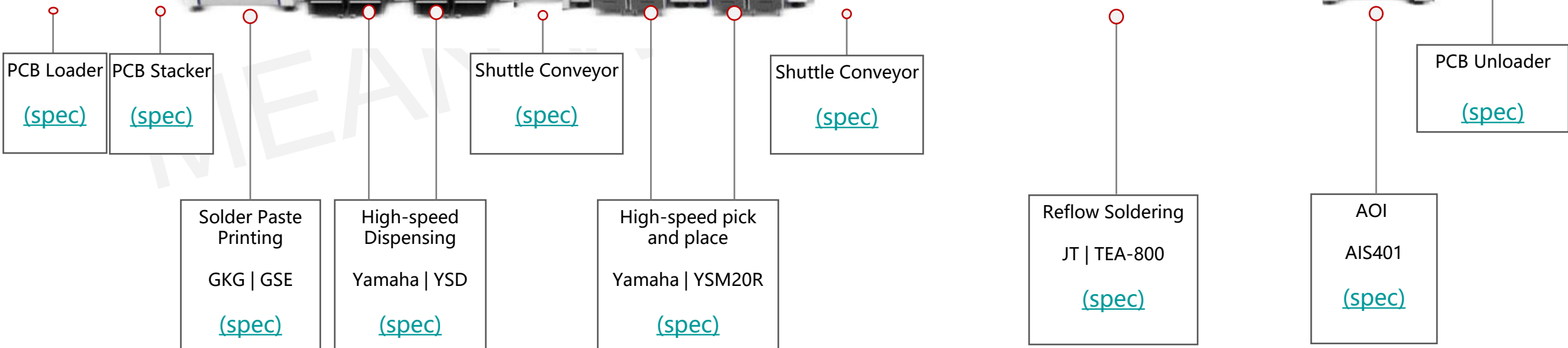
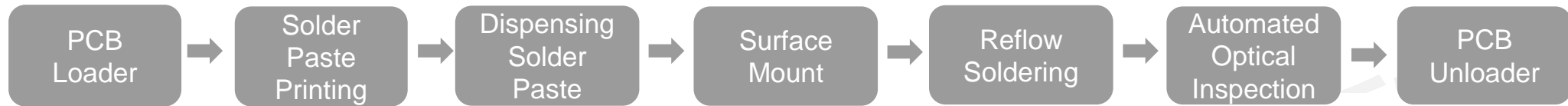


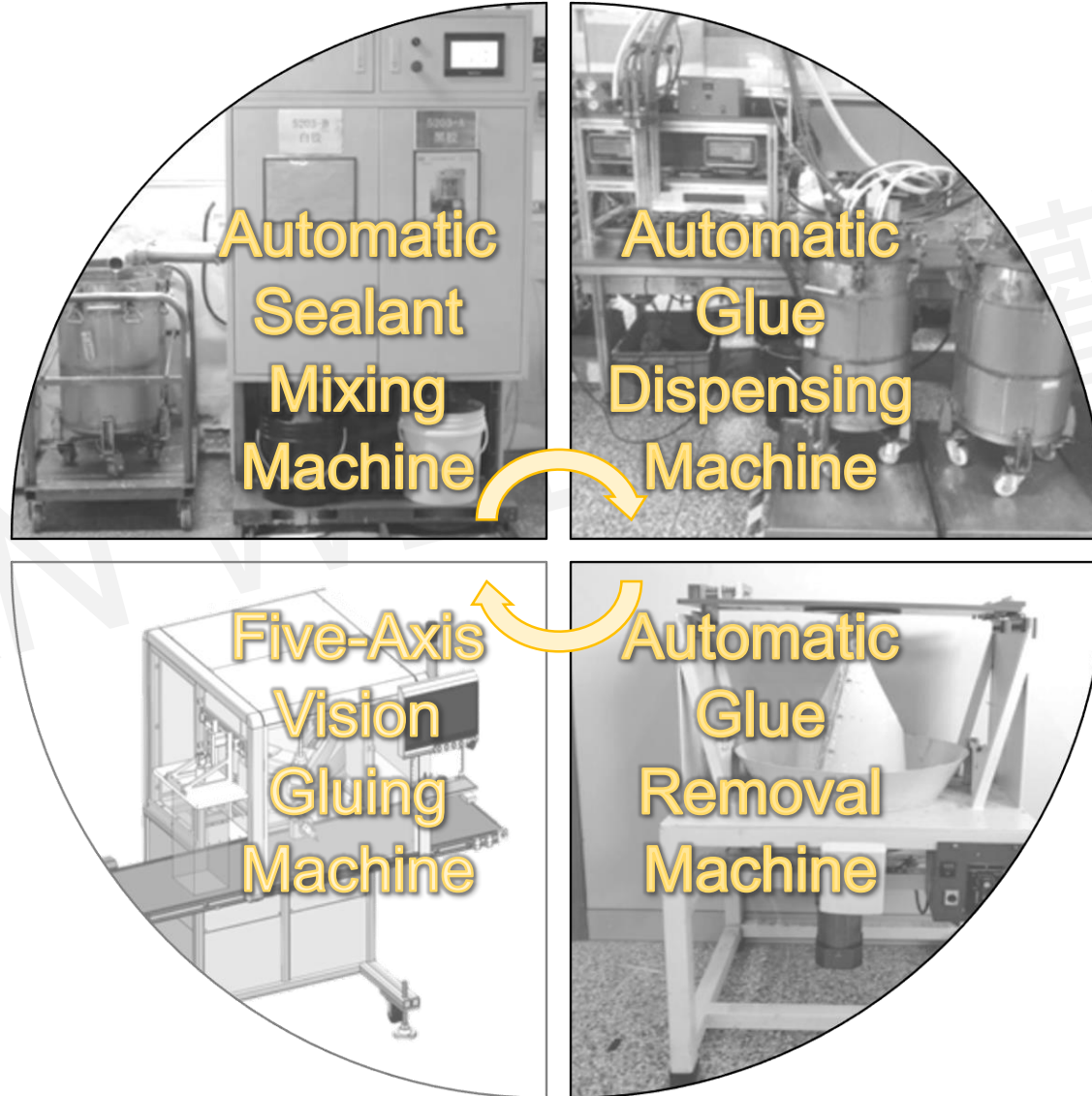
PCBA Process Standard Machine

SMT Solutions ([Video](#))



PCBA Process Standard Machine Sealant/Adhesive Solutions

Click on the series name to
link to the Product SPEC



MEAN WELL 所有

PCBA Process Standard Machine DIP Solutions

Click on the series name to
link to the Product SPEC

